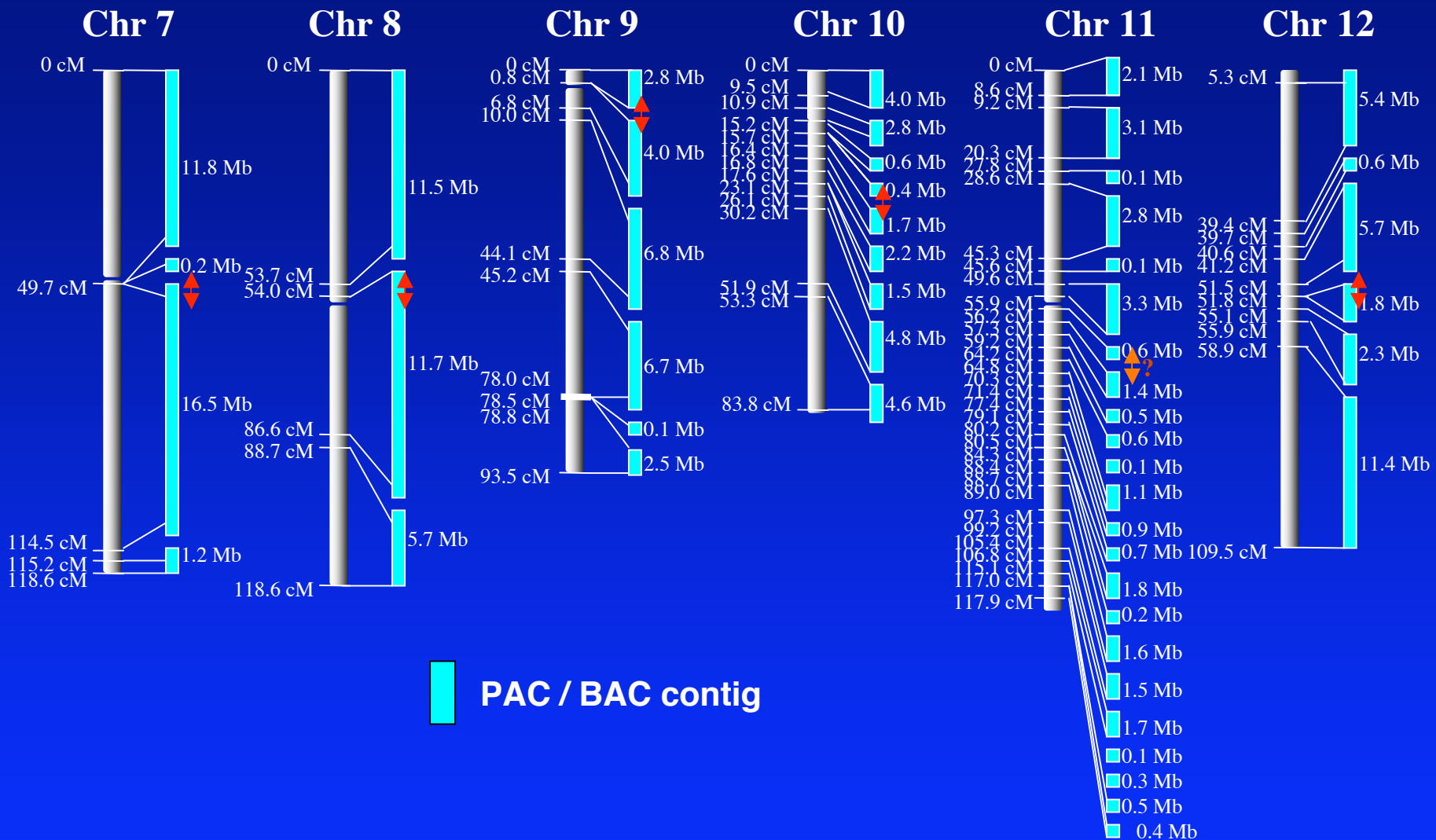


 PAC / BAC contig

**Current status of IRGSP physical map (Chr 1 ~ 6)**



**Current status of IRGSP physical map (Chr 7 ~ 12)**